

move 'n shoot

film & photo camera rig systems

www.move-n-shoot.com

G1

The **G1** is a glass truss rig which has been designed to minimize retouching in still photography.

Specifications

setup time ► 1 - 1,5 hours

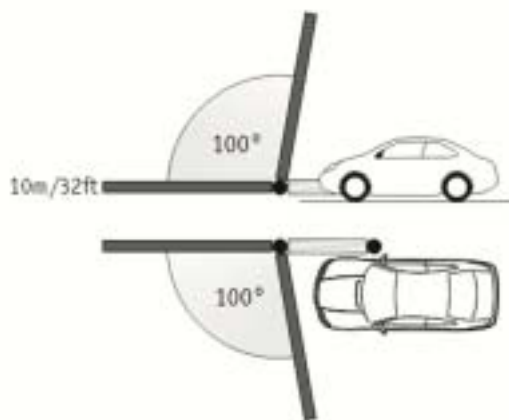


with glass truss:

Rig mounted from side only (with glass truss on the opposite side of the car).

camera movement after setup

► 100° horizontal / 100° vertical

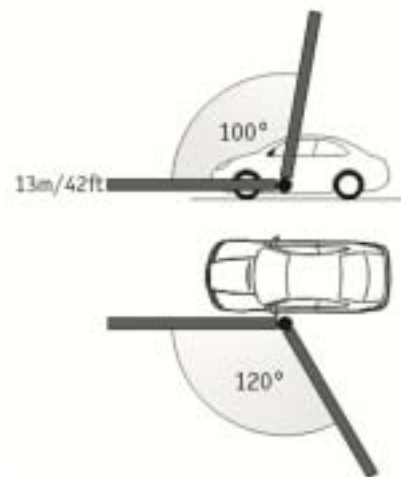


without glass truss:

Rig mounted directly onto the car, from side only.

camera movement after setup

► 120° horizontal / 100° vertical



length	glass truss	carbon direct
2 m	40 kg	60 kg
4 m	25 kg	40 kg
6 m	17 kg	25 kg
8 m	13 kg	17 kg
10 m	10 kg	13 kg
13 m	--	10 kg